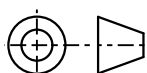
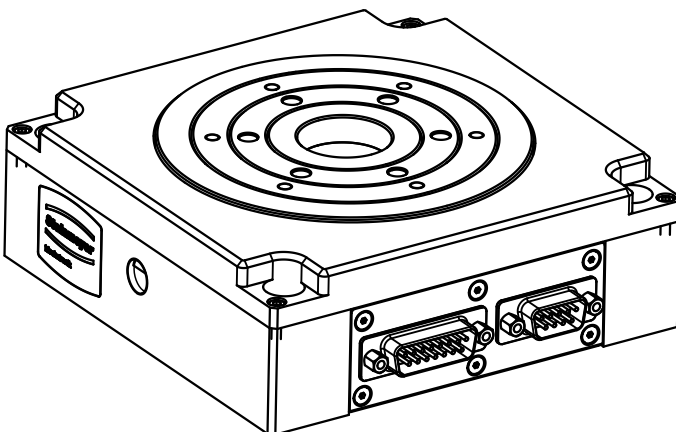


- 1) counterbore for screw DIN 912 / ISO 4782 - M6 (4x)
- 2) M4; depth 6 (6x)
- 3) terminal (number and types of connectors depending on selected equipment)

requirement on mounting surfaces: flatness 0.05 mm



drawingscale: 1:2
metric system (mm)

Revision 04/2026

Doc-Nr. 568006