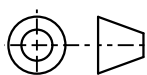
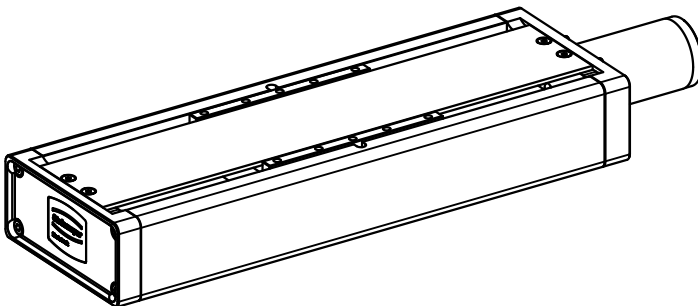


1) counterbore for screw DIN 912 / ISO 4782 - M5 (8x)
used from top-side or optional M6; depth 4 used from bottom-side

2) M4; depth 5 (10x) used from top-side

3) terminal (number and types of connectors
depending on selected equipment)

requirement on mounting surfaces: flatness 0.02 mm



drawingscale: 3:10
metric system (mm)

Revision 04/2026

Doc-Nr. 569056